

## DUO

### Two-way movement mechanism for Anta 5

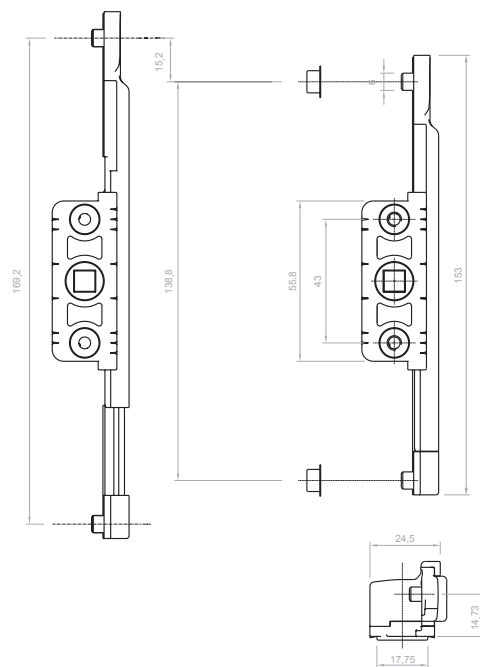
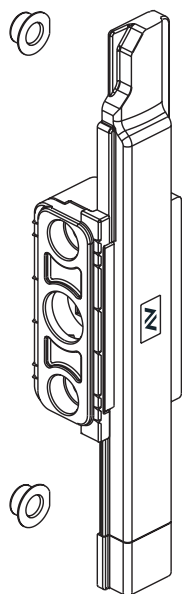
#### MAIN CHARACTERISTICS:

- It can be used on all Eurogroove profiles;
- Extremely small dimensions;
- It adapts perfectly to different rebate heights;
- It can be used with both traditional and Ribanta 5 rods;
- Very sturdy fixing;
- Suited for all snap-latches with 7-mm square;
- 15-mm two-way travel.



1213.7R/L

#### TECHNICAL DRAWINGS



| ARTICLE  | NAME | DESCRIPTION  | STANDARD FINISHES | PCS./PACK. |
|----------|------|--|-------------------|------------|
| 1213/7R  |      | Right side two-way movement for the Anta 5 system, 7-mm square |                   | 20         |
| 1213/7L  |      | Left side two-way movement for the Anta 5 system, 7-mm square  |                   | 20         |
| 1212.705 |      | Carrying device  |                   | 40         |

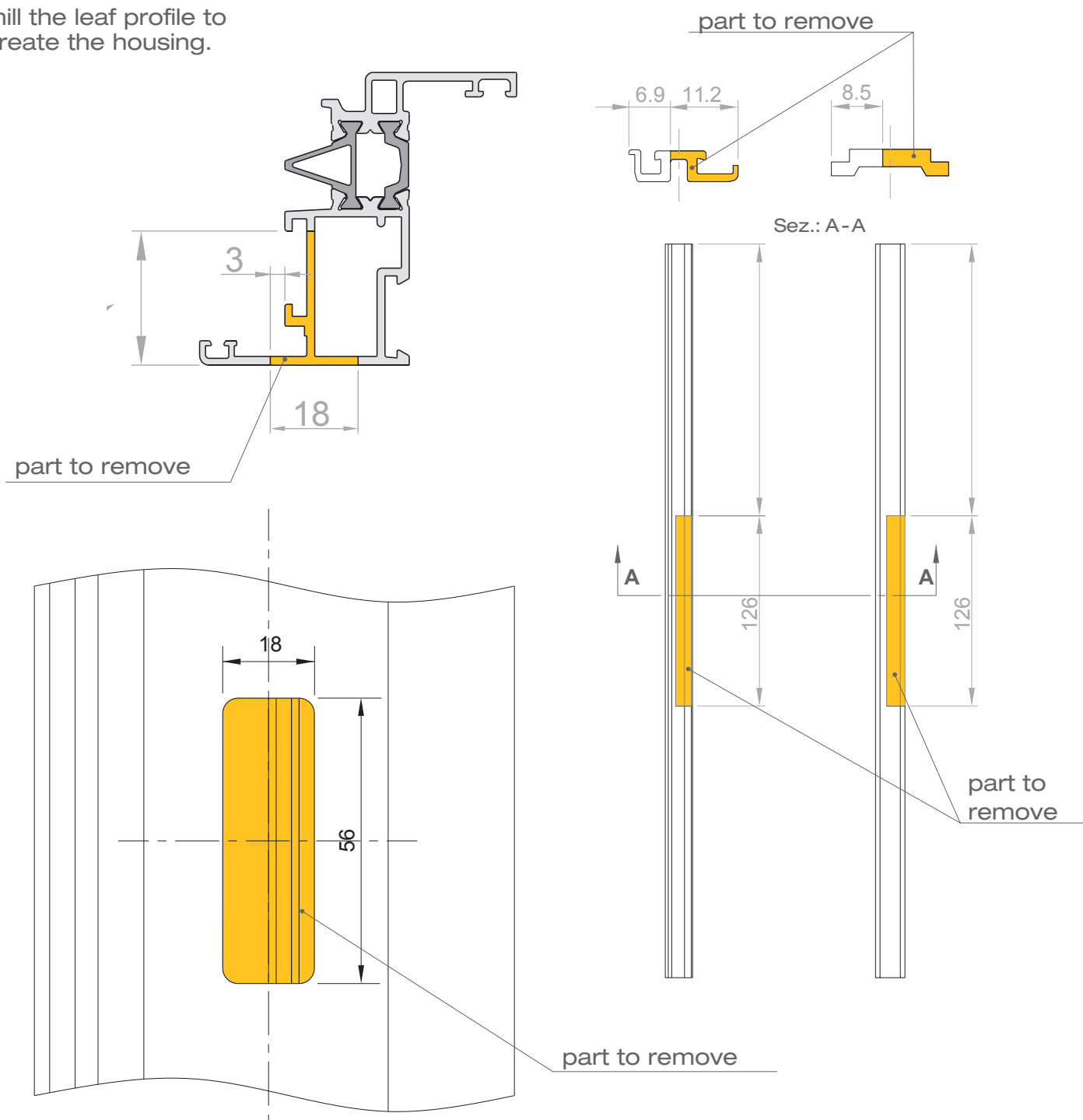
## DUO

### Two-way movement mechanism for Anta 5

1213.7R/L

#### MACHINING

mill the leaf profile to  
create the housing.



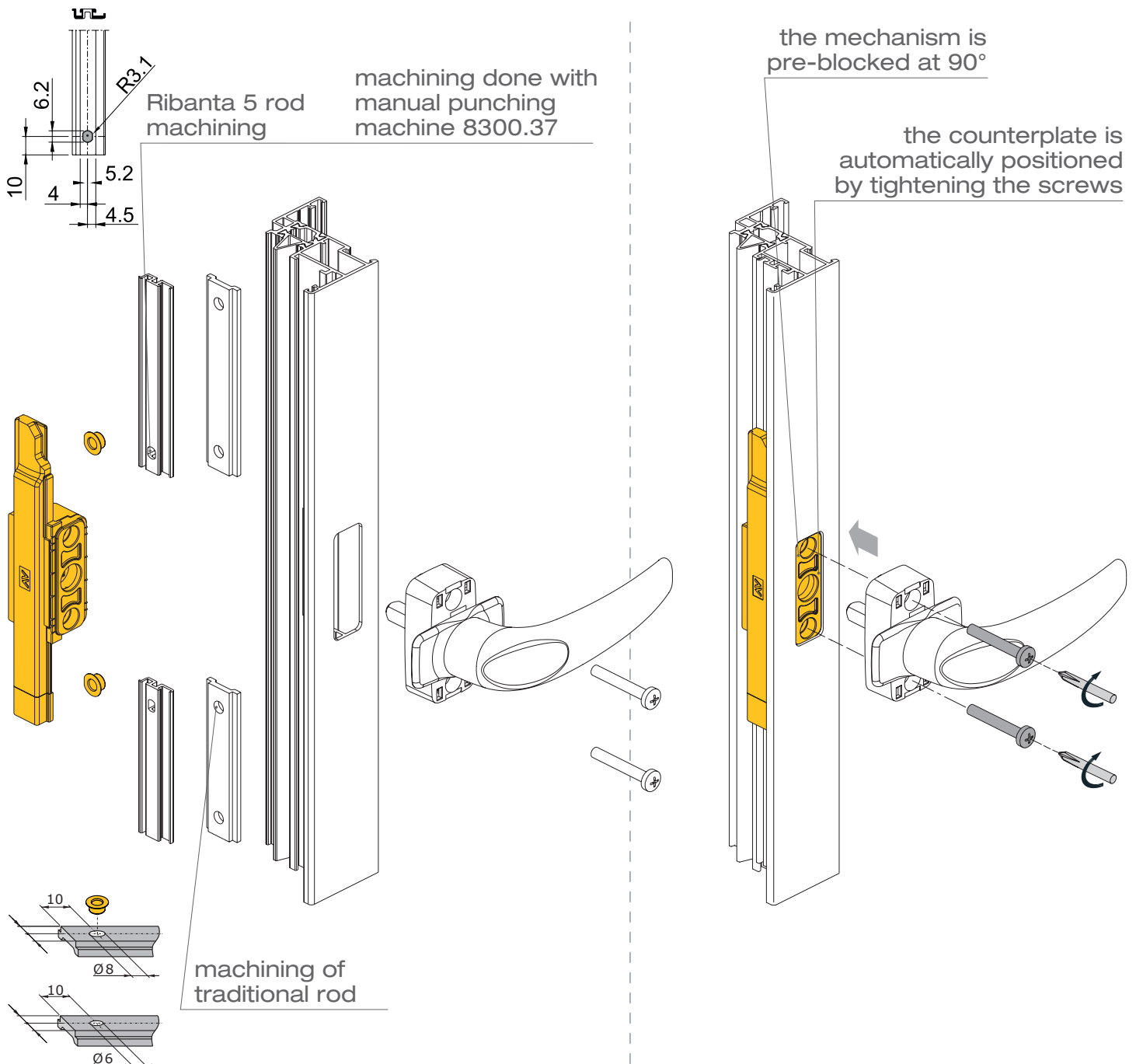
## DUO

### Two-way movement mechanism for Anta 5

1213.7R/L

#### ASSEMBLY WITH CUT AND DRILLED ROD

The two-way access device can be used with both traditional rod and with Ribanta 5 rod.



## DUO

### Two-way movement mechanism for Anta 5

1213.7R/L

#### CARRYING DEVICE

To carry frames with no snap-latch, a specific device was developed that, once screwed in, keeps everything in place until the permanent assembly with the snap-latch.

